

Network Wide

Optical Transceivers

J4858C- NW

SFP GIGABIT INTERFACE SX, 850nm

Features

- Up to 1.25 Gb/s NRZ
- Single +3.3V Power Supply
- Hot-Pluggable SFP footprint
- Metal enclosure, for lower EMI
- **Up to 500m on 50/62.5µm MMF**
- Duplex LC connector
- TTL signal detect indicator
- 850nm VCSEL laser transmitter
- Up to 500m on 50/125*m MMF400 Mhz/km, 220m on 62.5/125*m MMF

Applications

- **Gigabit Ethernet**
- **Switch to Switch interface**
- **Switched backplane applications**
- **Router/Server interface**
- **Other optical transmission systems**

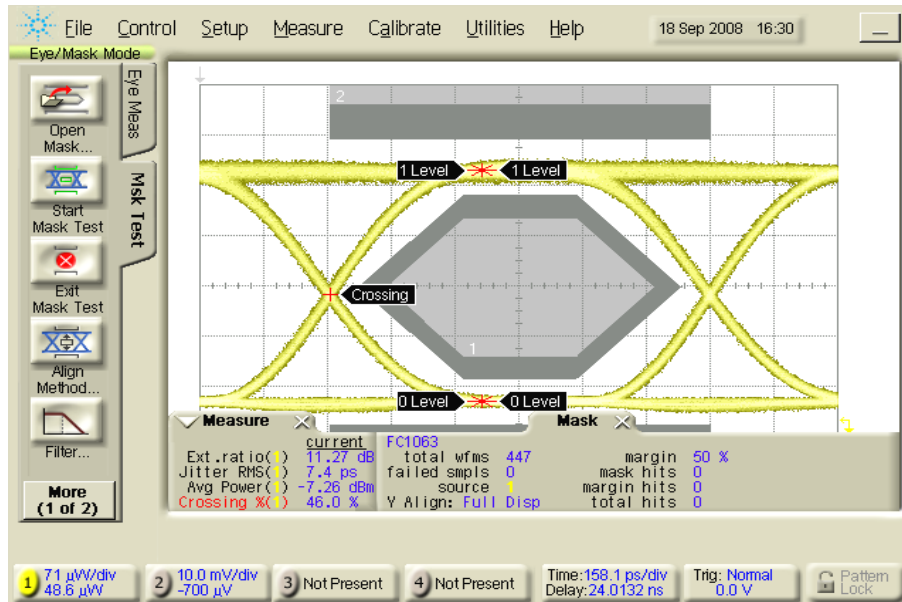
Product Description

J4858C-NW is a high performance and cost effective transceiver for serial optical data communication applications. The interface converters meet the SFP Multi-Source Agreement specifications. This module is designed for multi-mode fiber operation at the wavelength of 850nm. The transmitter section incorporates an advance VCSEL laser for multi-mode, with temperature compensation and automatic power control circuit (APC). The receiver section incorporates an efficient PIN photodiode, with automatic gain control (AGC) for wide dynamic range. The family is a duplex LC connector transceiver, designed for use in Gigabit Fiber Channel and Gigabit Ethernet and to provide an IEEE-802.3z compliant link at 1.25Gbps applications. The transceiver are hot-pluggable, the characterization is performed in accordance with Bellcore specification. All of them are housed in a stainless package and the combination produces a component of high reliability.

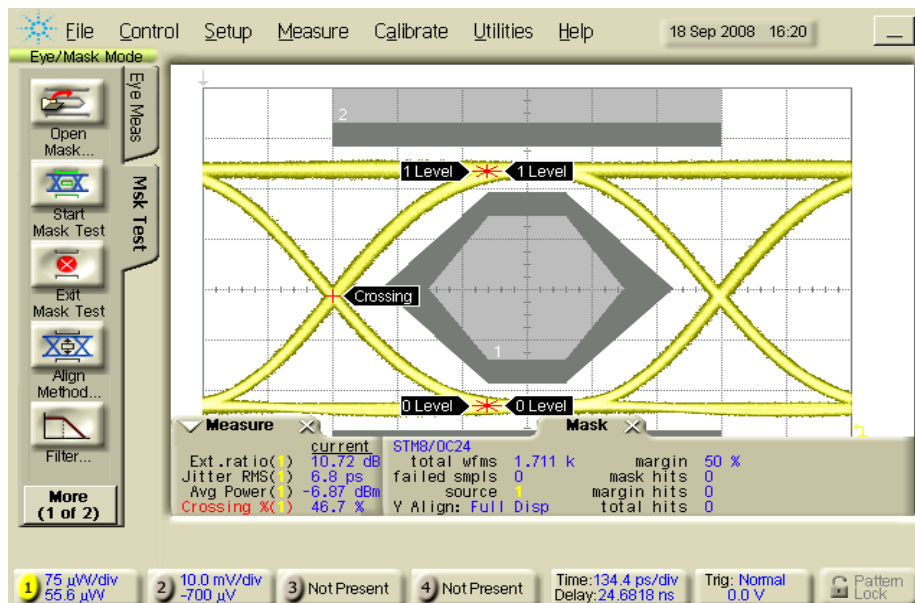
Network Wide

Optical Transceivers

NW Optical Transmitter Eye Diagrams



NW Transmitter Eye Mask



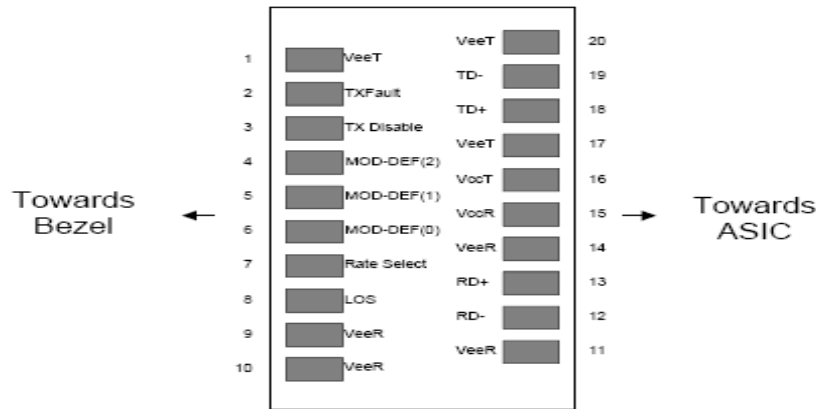
NW EEPROM Section

The NW optical transceiver contains an EEPROM NW. It provides access to sophisticated identification information that describes the transceiver's capabilities, standard interfaces, manufacturer, and other information.

Network Wide

Optical Transceivers

NW Pin Assignment:



Pinout of Connector Block on Host Board

I. Pin Descriptions

Pin	Signal Name	I/O Typ.	Functional Description
1	VeeT		Transmitter Ground
2	TX_FAULT		Transmitter Fault Indication, Logic high, open collector Compatible , 4.7K to 10K Ohm pull up to V _{DD} T on host
3	TX_DISABLE		Transmitter Disable – Module disable on high or open (No Used)
4	MOD_DEF(2)	I/O	Module Definition 2 Two wire serial ID interface SDA, 4.7K to 10K Ohm pull up to V _{DD} T on host
5	MOD_DEF(1)	Input	Module Definition 1 Two wire serial ID interface SCL, 4.7K to 10K Ohm pull up to V _{DD} T on host
6	MOD_DEF(0)	Output	Module Definition 0 TTL Low
7	Rate Select	Input	Select between full or reduced receiver bandwidth The undefined
8	LOS		Receiver Loss of Signal, Logic high, Open collector compatible 4.7K to 10K Ohm pull up to V _{DD} T on host.
9	VeeR		Receiver Ground
10	VeeR		Receiver Ground
11	VeeR		Receiver Ground
12	RD-	Output	Inverse Received Data Out, Differential PECL, at AC couple
13	RD+	Output	Received Data Out, Differential PECL, at AC couple
14	VeeR		Receiver Ground
15	VccR	Input	Receiver Power
16	VccT	Input	Transmitter Power
17	VeeT		Receiver Ground
18	TD+	Input	Transmitter Data In, Differential PECL, AC couple
19	TD-	Input	Inverse Transmitter Data In, Differential PECL, AC couple
20	VeeT		Transmitter Ground



Network Wide

Optical Transceivers

II. Absolute Maximum Ratings

Parameter	Symbol	Min	Typ	Max	Unit	Ref.
Maximum Supply Voltage	Vcc	-0.5		4.5	V	
Storage Temperature	TS	-40		100	°C	
Case Operating Temperature	TOP	-40		85	°C	
Relative Humidity	RH	0		85	%	1

III. Electrical Characteristics (TOP = -40 to 85°C, VCC = 3.00 to 3.60 Volts)

Parameter	Symbol	Min	Typ	Max	Unit	Ref.
Supply Voltage	Vcc	3.00		3.60	V	
Supply Current	Icc		200	300	mA	
Transmitter						
Input differential impedance	Rin		100		Ω	2
Single ended data input swing	Vin,pp	250		1200	mV	
Transmit Disable Voltage	VD	Vcc – 1.3		Vcc	V	
Transmit Enable Voltage	VEN	Vee		Vee+ 0.8	V	3
Transmit Disable Assert Time				10	us	
Receiver						
Single ended data output swing	Vout,pp	300	400	800	mV	4
Data output rise time	tr		100	175	ps	5
Data output fall time	tf		100	175	ps	5
LOS Fault	VLOS fault	Vcc – 0.5		VccHOST	V	6
LOS Normal	VLOS norm	Vee		Vee+0.5	V	6
Power Supply Rejection	PSR	100			mVpp	7
Deterministic Jitter Contribution	RX Δ DJ			51.7	ps	8
Total Jitter Contribution	RX Δ TJ			122.4	ps	



Network Wide

Optical Transceivers

IV. Optical Characteristics (TOP = 0 to 70°C, VCC = 3.00 to 3.60 Volts)

Parameter	Symbol	Min	Typ	Max	Unit	Ref.
Transmitter						
Output Opt. Power	POUT	-9		-3	dBm	1
Optical Wavelength	λ	760		860	nm	2
Spectral Width	σ			3	nm	2
Optical Modulation Amplitude	OMA	174			μ W	2,3
Optical Rise/Fall Time	tr/ tf		100	160	ps	4
RIN				-120	dB/Hz	
Deterministic Jitter Contribution	TX Δ DJ		20	56.5	ps	5
Total Jitter Contribution	TX Δ TJ		70	119	ps	
Optical Extinction Ratio	ER	9			dB	
Receiver						
Average Rx Sensitivity @ 2.125 Gb/s (2X Fiber Channel)	RSENS1			-21	dBm	6, 7
Average Rx Sensitivity @ 1.25 Gb/s (Gigabit Ethernet)	RSENS2			-22	dBm	6, 7
Average Rx Sensitivity @ 1.06 Gb/s (1X Fiber Channel)	RSENS1			-22	dBm	6, 7
Stressed RX sens. =1.25 Gb/s			-18	-14.5	dBm	
Average Received Power	RxMAX			0	dBm	
Receiver Elec. 3 dB cutoff freq.				1500	MHz	
Optical Center Wavelength	λ C	760		860	nm	
Return Loss		12			dB	
LOS De-Assert	LOSD		-23	-19	dBm	
LOS Assert	LOSA	-30	-25		dBm	
LOS Hysteresis		0.5			dB	

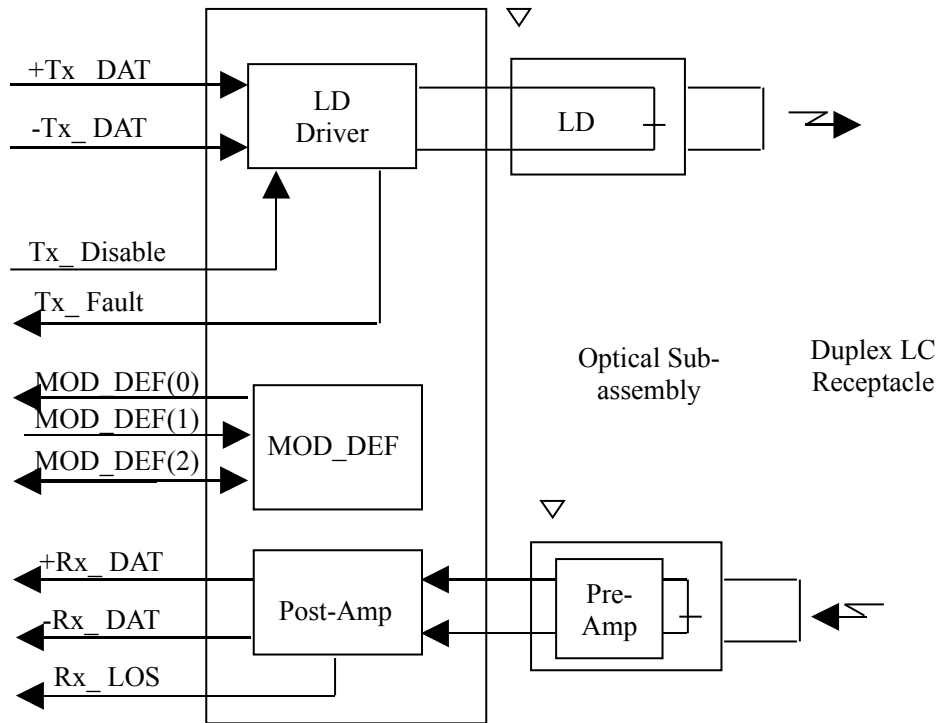
V. Environmental Specifications

Parameter	Symbol	Min	Typ	Max	Units	Ref.
Case Operating Temperature	Top	0		70	°C	
Storage Temperature	Tsto	-40		100	°C	

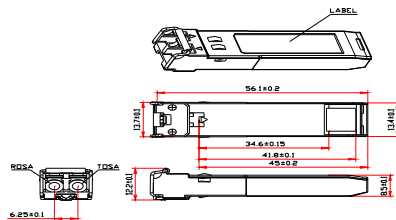
Network Wide

Optical Transceivers

J4858C-NW Block Diagram of Transceiver:



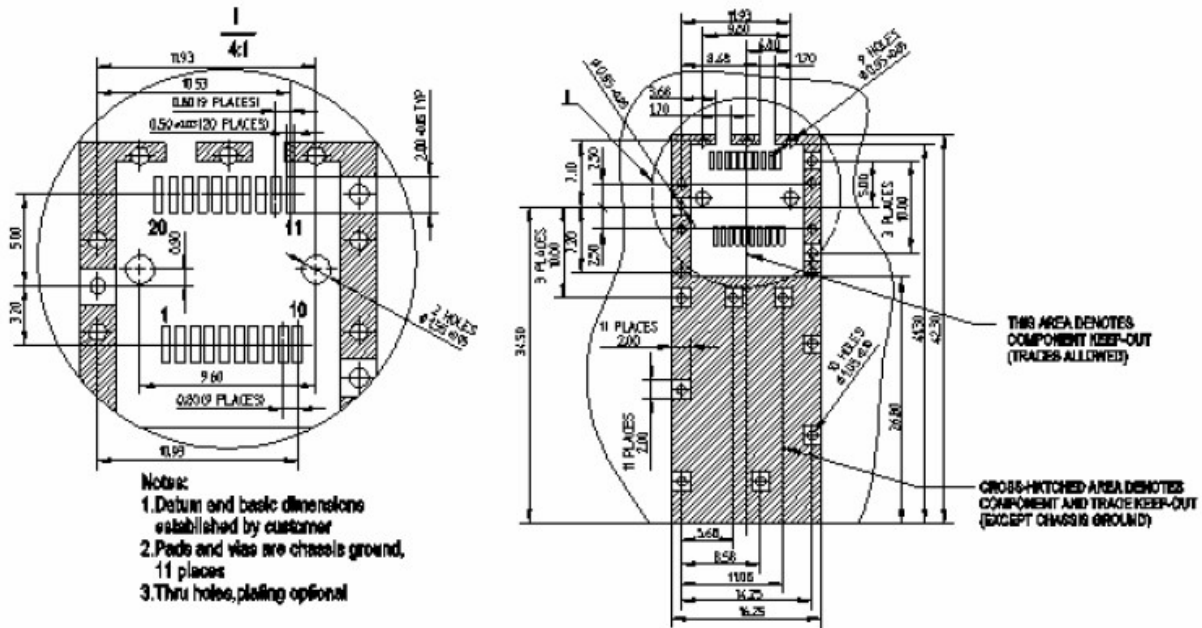
NW Mechanical Dimensions



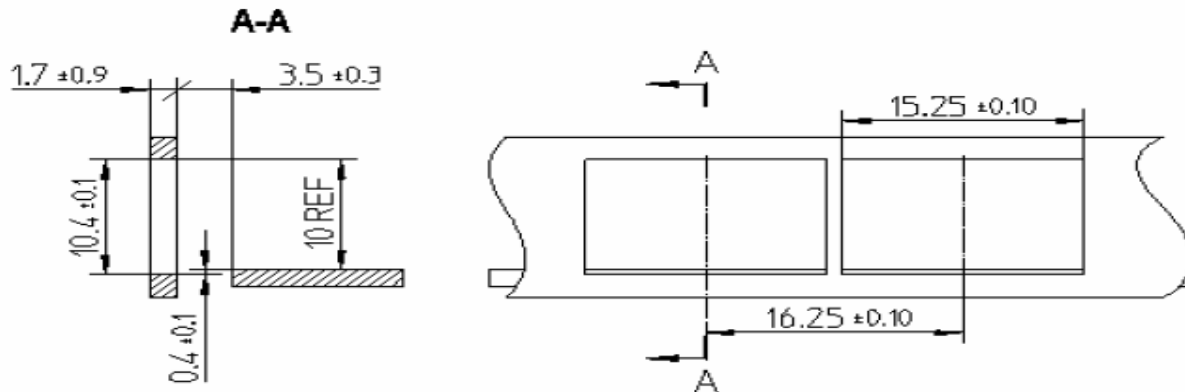
Network Wide

Optical Transceivers

J4858C-NW Recommended PCB Layout:



NW Recommended Front Panel Layout Opening for LC:



NW Ordering information: E_mail: sales@networkwide.co.uk

Part Number	Product Description
J4858C- NW	850nm, GE-SFP, LC CONNECTOR, SX TRANSCEIVER